

# FITTA

ACOUSTIC FENCING

20 YEAR  
WARRANTY

THE NEW  
ECO-FRIENDLY  
DESIGN




REDUCES UP TO 26DB  
OF EXTERNAL NOISE

Available at  
**BUNNINGS**  
warehouse

[FITTAGROUP.COM.AU](http://FITTAGROUP.COM.AU)

# FITTA

ACOUSTIC  
FENCING



**SAY HELLO TO FITTA:**  
**THE DIY FENCING SYSTEM THAT'S BETTER FOR  
YOU, YOUR NEIGHBOURS AND THE ENVIRONMENT!**

## FITTA ACOUSTIC FENCING IS THE NEW ECO-FENCE OPTION FOR YOUR YARD

### DIY READY

Featuring an intuitive post and rail system, FITTA installation is a breeze – your yard will be looking and feeling great in no time.

### NEIGHBOUR FRIENDLY

FITTA's outstanding acoustic properties and double-sided designs means no more bad views and more peace and quiet – your neighbours will be as happy as you!

### DESIGNED SMART, MADE TO LAST

FITTA is a truly modern fencing solution. Made from a unique combination of recycled plastic and wood it's light, termite resistant and water proof – no more rusty nails or rotten palings!

### EASY TO ORDER

To calculate your material requirements, simply measure your total distance, divide it by 2 and round it up to the nearest whole number. Don't forget to add an End Post Kit to finish the boundary!

### EACH FITTA ACOUSTIC FENCING KIT INCLUDES EVERYTHING YOU NEED TO BUILD AN 1800MM HIGH BAY!

- 1 x 2300mm Fencing Post
- 10 x Charcoal Fence Panels
- 1 x Set of Top and Bottom Rails
- 1 x Accessory Pack with a Post Cap and all the required brackets and screws



**CREATING SOMETHING OUT OF THE BOX?  
EXTRA END POST KITS ARE ALSO  
AVAILABLE FOR ORDER!**

# THE BETTER CHOICE FOR THE ENVIRONMENT, AND YOUR YARD



## 26DB NOISE REDUCTION THE ACOUSTIC PROPERTIES OF FITTA ACOUSTIC FENCING

FITTA Acoustic Fencing reduces external noise by up to 26db!\* This means a FITTA Fence can reduce roughly a quarter of the noise generated by your neighbour's lawnmower.\*\*

The secret is in the composition of FITTA's interlocking panels. Each FITTA panel is 15kg per m<sup>2</sup> and 24mm thick. That's 7 times the thickness of Colorbond and double the average pine fence paling!

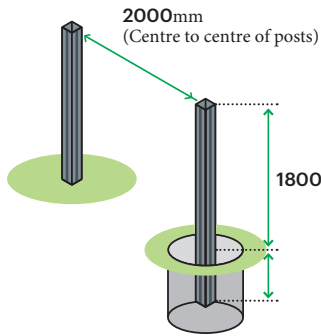
There's also no need to worry about gaps or holes – FITTA panels are pest, warp, and rot resistant, and fit together like tongue and groove.

\* Tested by Resolute Test Laboratories in accordance with AS1191 measurement procedures; FITTA Acoustic Fencing panels were certified with an RW rating of 26db and satisfy AS/NZS ISO 717.1. RW refers to the rating of the overall weighted sound reduction index of a material and is measured in decibels (db).

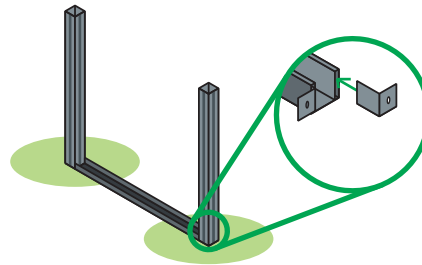
\*\* Only applicable to FITTA Acoustic Fencing in Full Privacy installed with no gaps between the ground and base of the fence

### BUILD YOUR FITTA FENCE

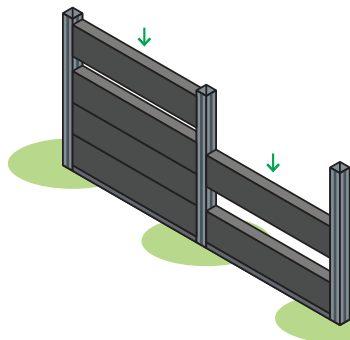
GRAB SOME CEMENT, A CORDLESS SCREW DRIVER, MAYBE A MATE OR TWO, THEN GET READY TO ENJOY YOUR NEW OUTLOOK — THIS WON'T TAKE LONG!



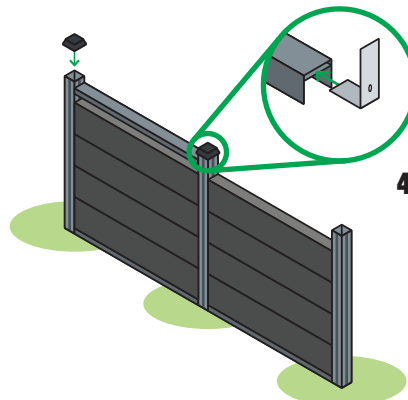
**1** Mark the ground at intervals and dig 600mm deep holes. Set posts at 500mm deep using cement. **TIP:** Set posts one at a time using fence rails as a guide.



**2** Install the bottom railings by connecting them to the posts using a bracket on each side section.



**3** Carefully insert and interlock the FITTA panels into the frame one by one, with tongue side face up.



**4** Finish off your FITTA with the top rail and post caps.



Watch our full installation video



**REMEMBER TO CHECK YOUR LOCAL COUNCIL AND BUILDING REGULATIONS IN THE PLANNING PHASE OF YOUR PROJECT.**

Post spacings include an extra 5mm either side of the fence panels, to allow for the natural expansion and contraction of the composite panels. Please ensure custom sized bays include this allowance.

# FITTA

ACOUSTIC FENCING

<b>FITTA Acoustic Fencing Kit – Charcoal</b>	2000mm (L) x 1800mm (H)*	Item No. 048 2318	BC: 9359206000583
<b>FITTA Fence End Post Kit – Black</b>	2300mm x 80mm x 80 mm	Item No. 048 2317	BC: 9359206000606

\*Assembled size including post embedment.

Printed using environmentally responsible carbon neutral paper, manufactured from 100% post consumer recycled fibre in a process chlorine free environment under the ISO 14001 environmental management system



**FITTAGROUP.COM.AU**

**Phone 1300 616 291**

info@fittafence.com.au  
200 Holt Street  
Pinkenba QLD 4008